

# Panda 25i 230 V PVMV-N

Article: 0013275

## General Technical Data

Vehicle Generator designed for installation within vehicle with integrated water-cooled exhaust (requires external radiator)

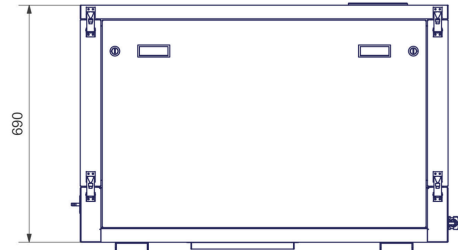
Generator Type	iSeries - Perfect Power
Generator Family	25i-230V
Generator Version	PVMV-N
Area of Application	Vehicle
Capsule Type	MPL 4DS
Generator Manufacturer	Fischer Panda GmbH
Windings Isolation Class	H
Control System	iControl
Voltage Tolerance	3%
Cos Phi	0.80
Sound Levels dB(A) [7m/3m/1m]	54 / 64 / 68
Weight (kg)	335
Capsule Dimensions (excl. fittings)	1070 x 560 x 690



## Electrical Alternator

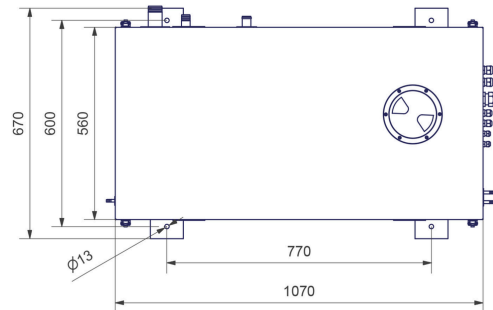
Engine Speed [rpm]	1600 - 2700
Voltage	230
Frequency [Hz]	50
Number Phases	1
Nominal Performance [kW]	20,0
Nominal Performance [kVA]	25,0

## Generator Capsule / Sound Shield



## Engine

Engine Manufacturer	Kubota
Engine Type	KU V1505
No. Cylinders	4
Displacement [cm <sup>3</sup> ]	1498
Starter System	12 V
Emission Regulations	



## Service / Installations Kits/ Shock mountings

- Service Kit
- Service Kit "Plus"
- Shock mounting, captive

[LEARN MORE](#)

