

Panda 10000i PMS

Article: 0000361

General Technical Data

Water-cooled Marine Generator

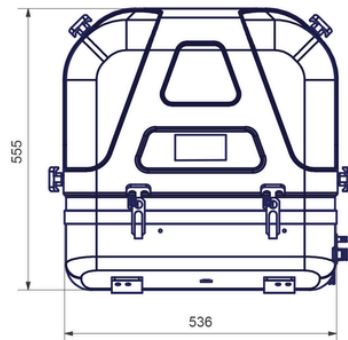
Generator Type	iSeries - Perfect Power
Generator Family	10000i
Generator Version	PMS
Area of Application	Marine
Capsule Type	GFK 3D
Generator Manufacturer	Fischer Panda GmbH
Windings Isolation Class	H
Control System	iControl
Voltage Tolerance	3%
Cos Phi	0.80
Sound Levels dB(A) [7m/3m/1m]	
Weight (kg)	110
Capsule Dimenisons (excl. fittings)	536 x 445 x 555



Electrical Alternator

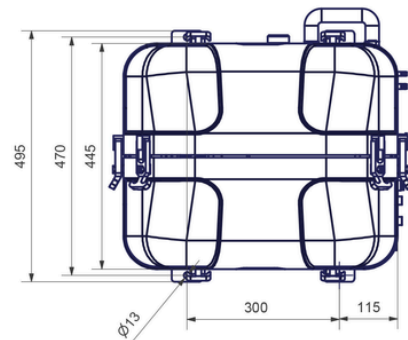
Engine Speed [rpm]	2200 - 2800
Voltage	120
Frequency [Hz]	60
Number Phases	1
Nominal Performance [kW]	8,0
Nominal Performance [kVA]	10,0

Generator Capsule / Sound Shield



Engine

Engine Manufacturer	Kubota
Engine Type	KU Z602
No. Cylinders	2
Displacement [cm ³]	599
Starter System	12 V
Emission Regulations	IMO MARPOL 73/78 US 40CFR 1042 EU 2016/1628 China 20891-2014



Service / Installations Kits/ Shock mountings

Service Kit	0006383
Service Kit "Plus"	0000702
Installation Kit "Basic"	0000677
Installation kit Premium	0000674
Shock mounting, captive	0002750
Shock mounting, non-captive	0009675

[LEARN MORE](#)

